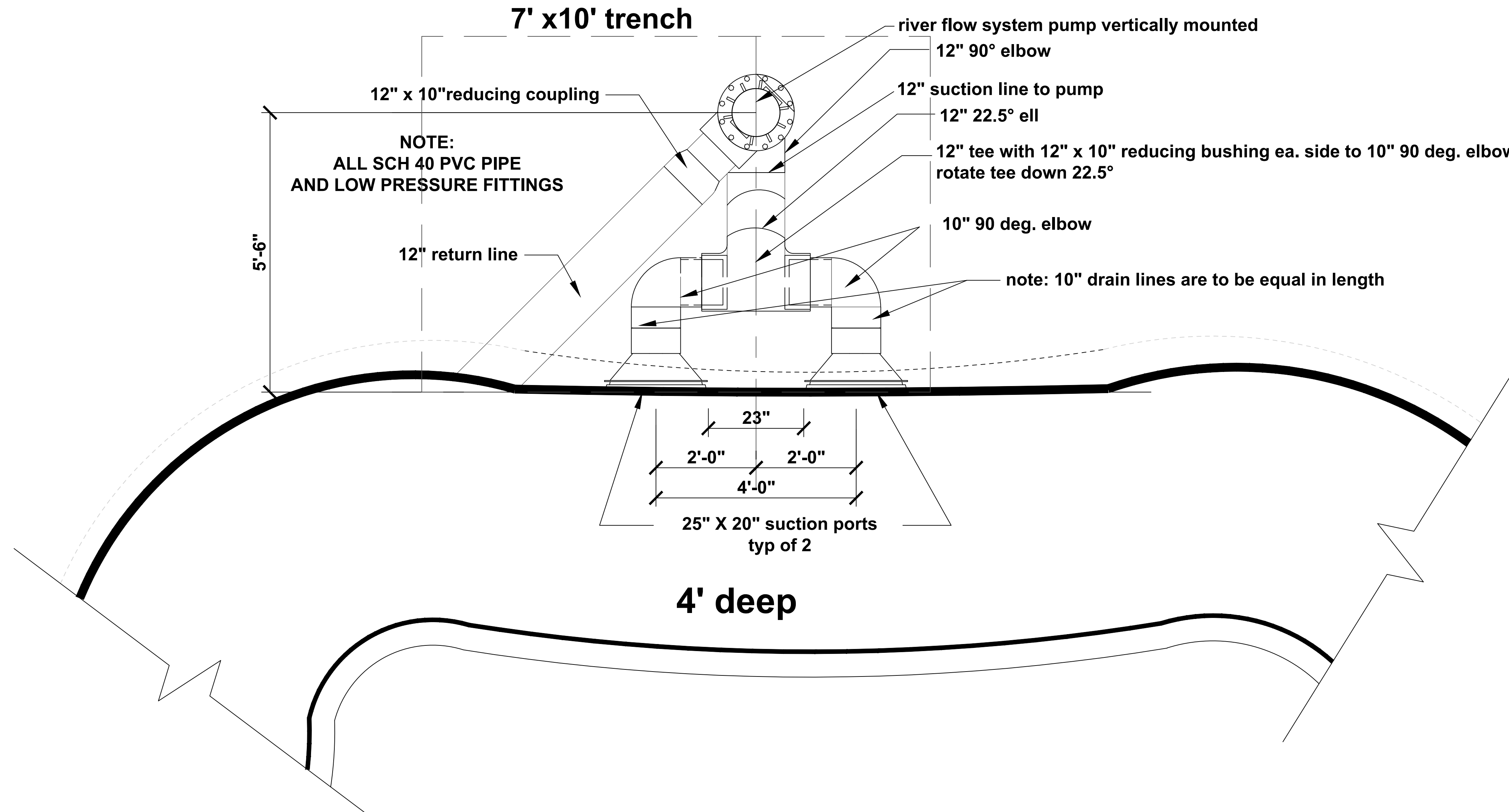


**RIVER FLOW PUMP WITH
FLOODED SUCTION
OPERATING PRESSURE
LESS THAN 5 PSI**



LAZY RIVER PUMP LAYOUT
SCALE 3/4" = 1'-0"

888-443-4113 Toll Free
954-869-0311 Direct
954-827-2800 Fax
"Your Moving Water Solution"
& Manufacturer of VGB Grates
www.current-systems.com

REVISION DATE(S)

| | |
|--|--|
| | |
| | |
| | |
| | |
| | |
| | |
| | |
| | |

JOB #:

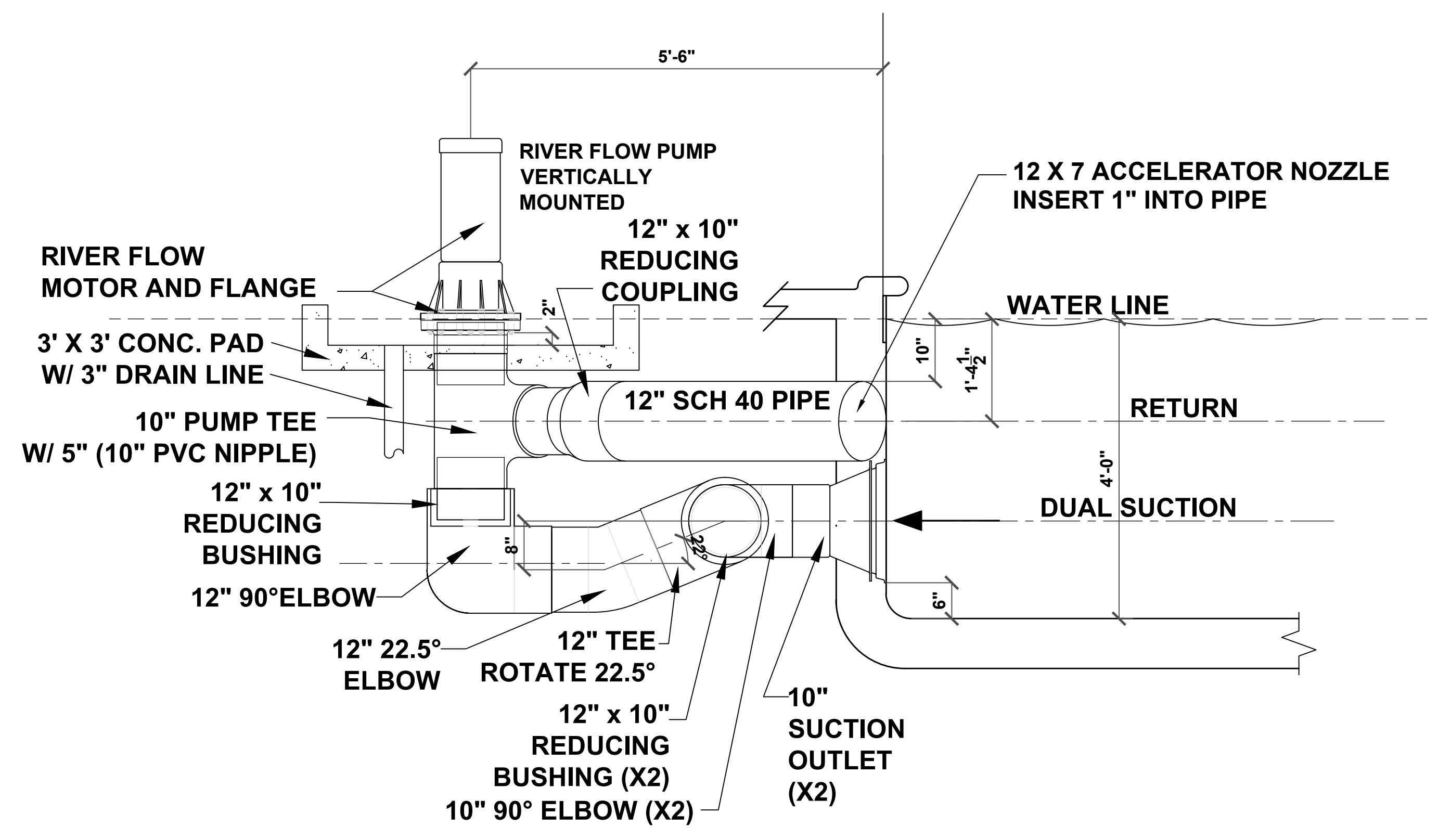
SCALE:
AS NOTED

CHECKED BY:

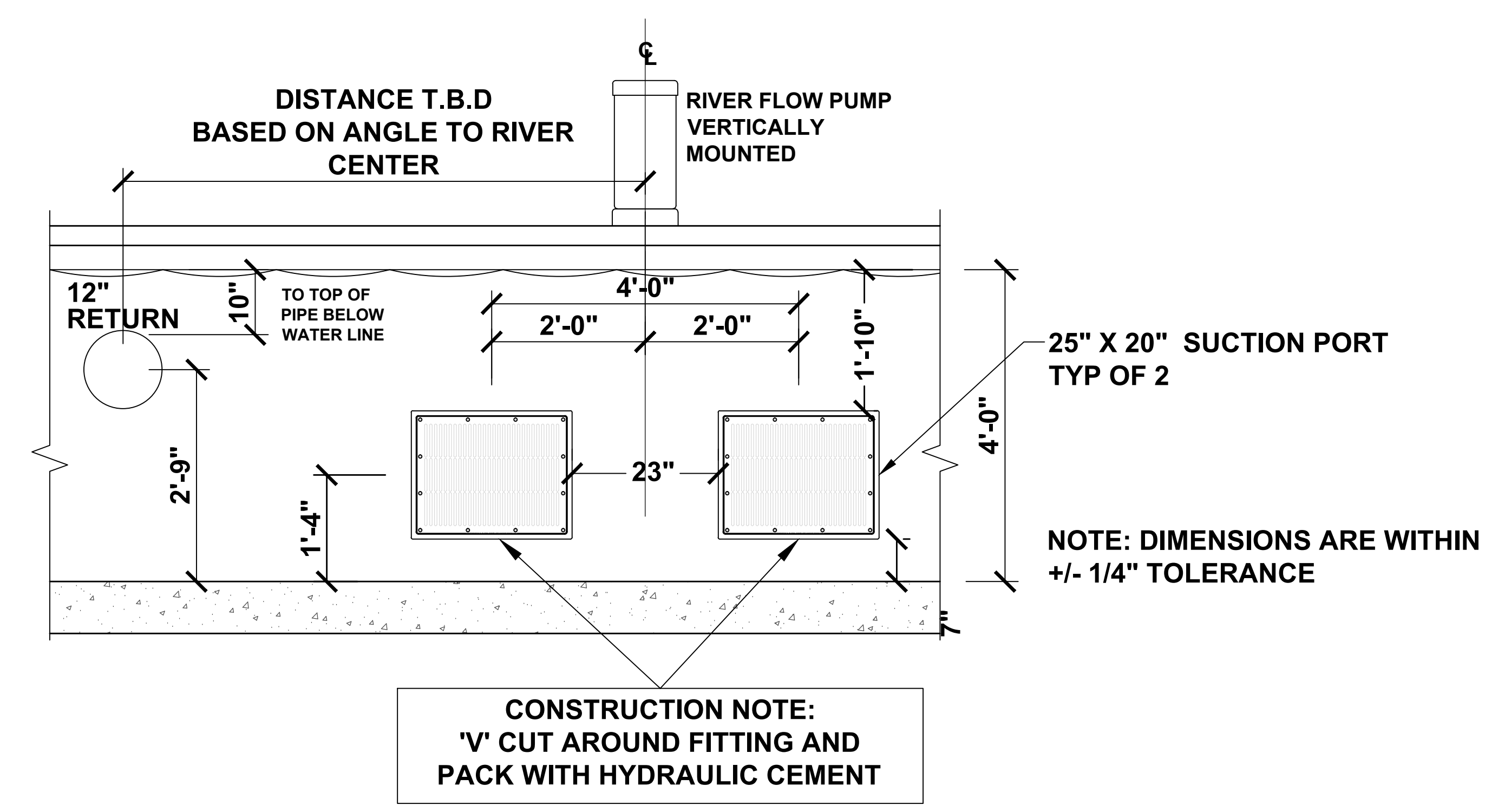
DRAWN BY:
MCK

10 / 07 / 16

SHEET NO.:
1 OF 4



LAZY RIVER SYSTEM SIDE VIEW
SCALE 3/4" = 1'-0"

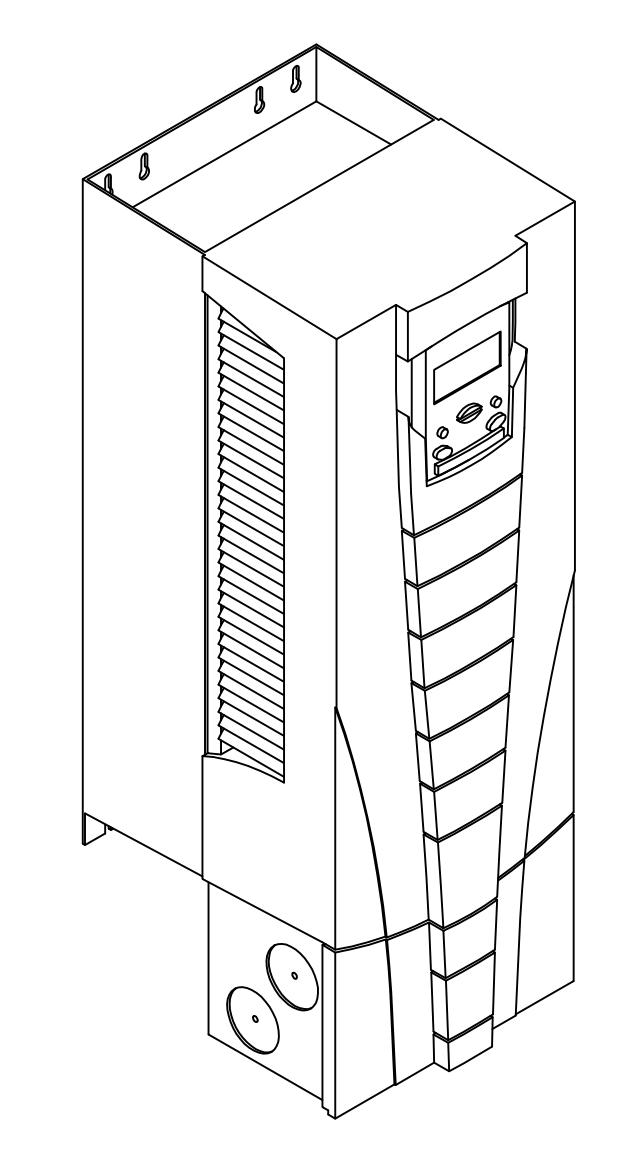
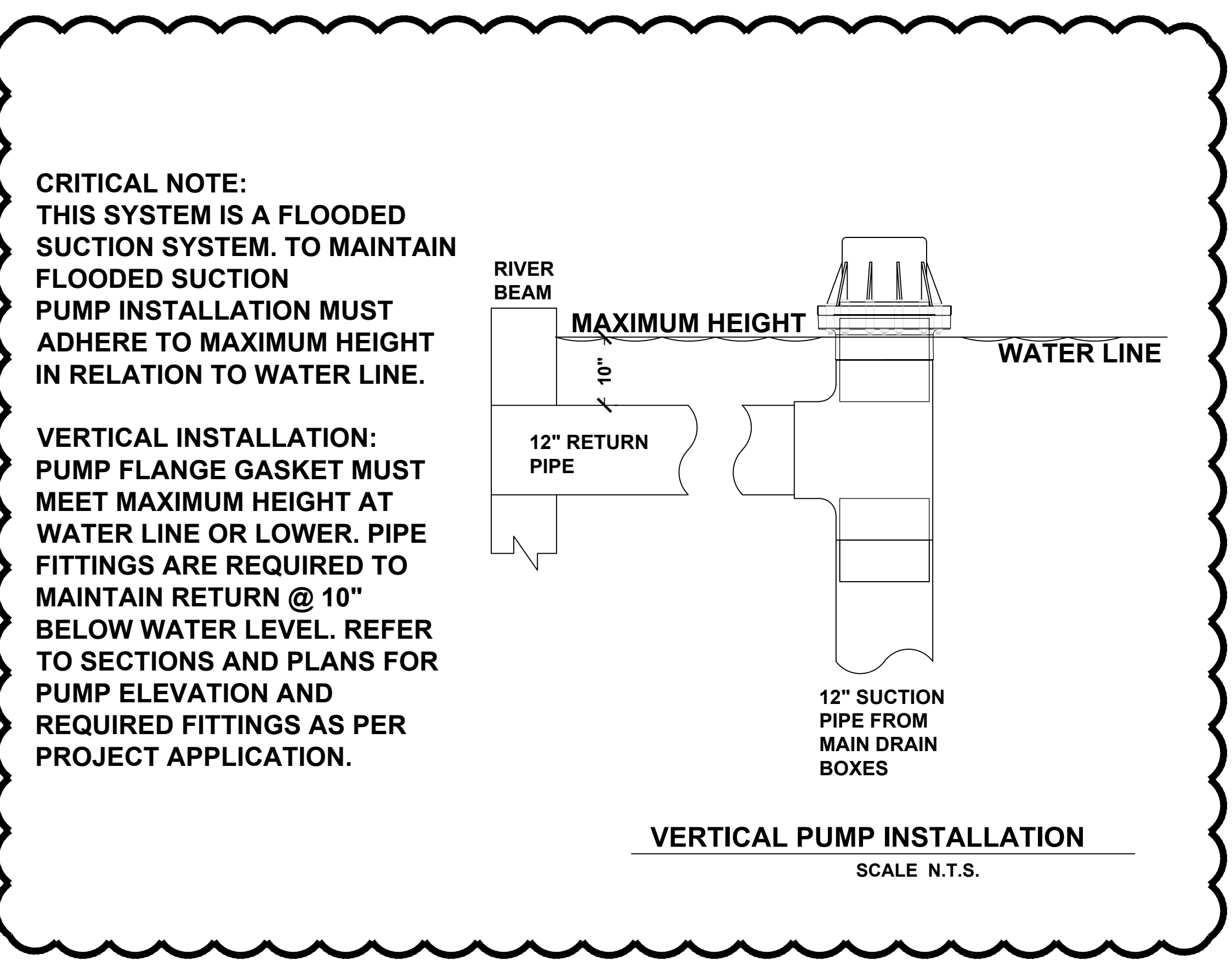


LAZY RIVER SYSTEM SUCTION AND RETURN DETAIL
SCALE 3/4" = 1'-0"

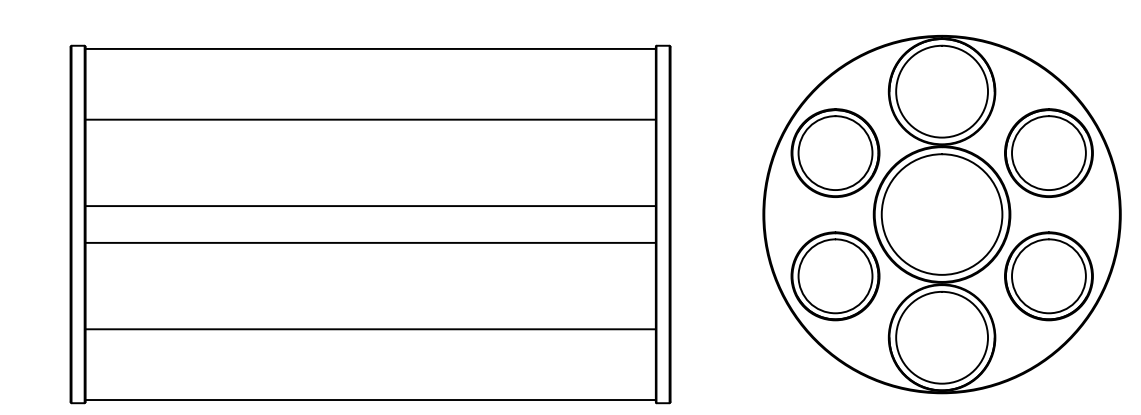
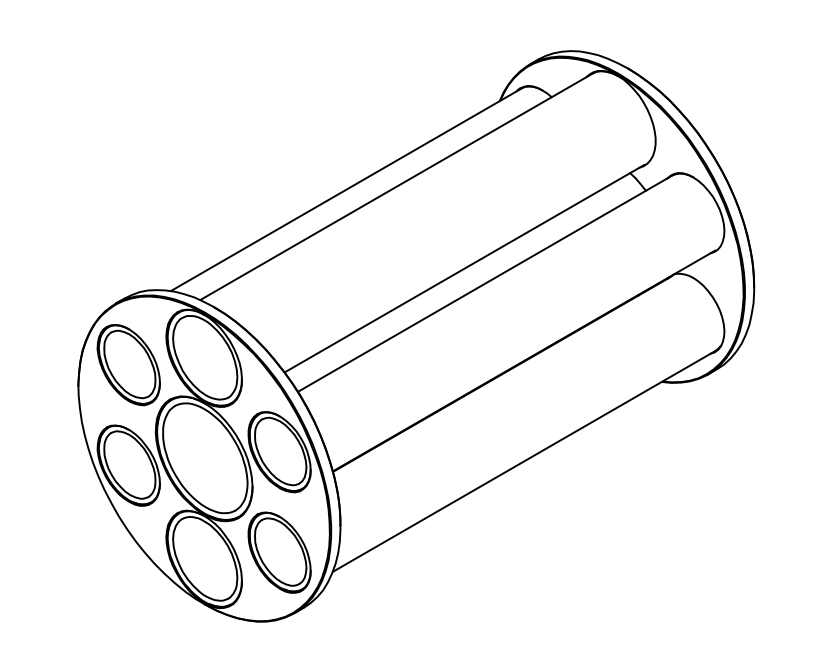
| PARTS LIST: LAZY RIVER SYSTEM | | |
|-------------------------------|-----|--------------------------------|
| | 1 x | 10HP PUMP MOTOR |
| | 1 x | RIVERFLOW PUMP |
| | 2 x | DUAL SUCTION BOX |
| | 1 x | ACCELERATOR NOZZLE |
| | 1 x | (VFD) VARIABLE FREQUENCY DRIVE |
| | 2 x | 10" 90° ELBOW |
| | 1 x | 12" 22.5° ELBOW |
| | 1 x | 12" RED. COUPLING |
| | 1 x | 12" TEE |
| | 1 x | 12" 90° ELBOW |
| | 3 x | 12" X 10" REDUCING BUSHING |

BOX DENOTES COMPONENTS INCLUDED IN RIVERFLOW SYSTEM

ADDITIONAL REQUIRED ITEMS NOT INCLUDED



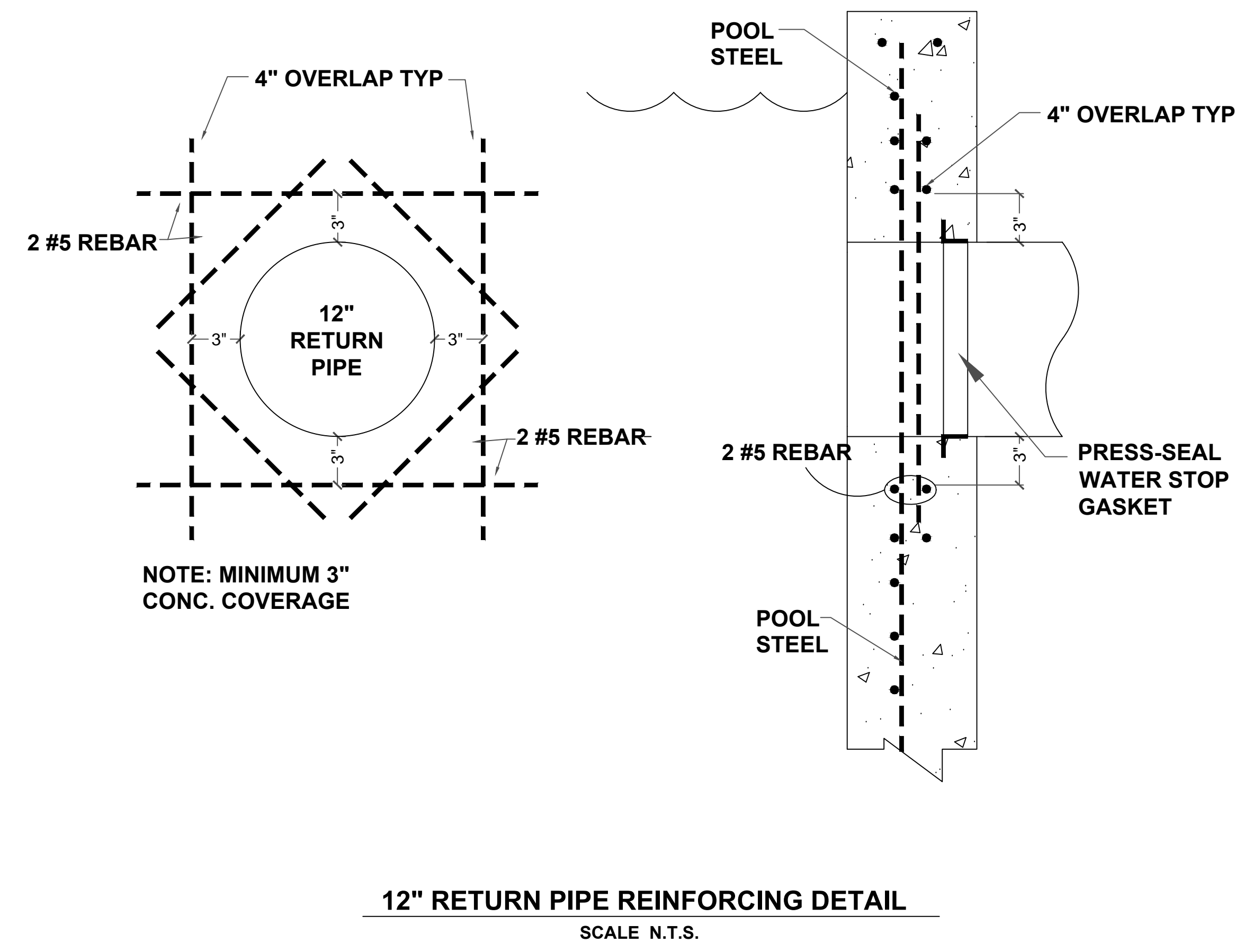
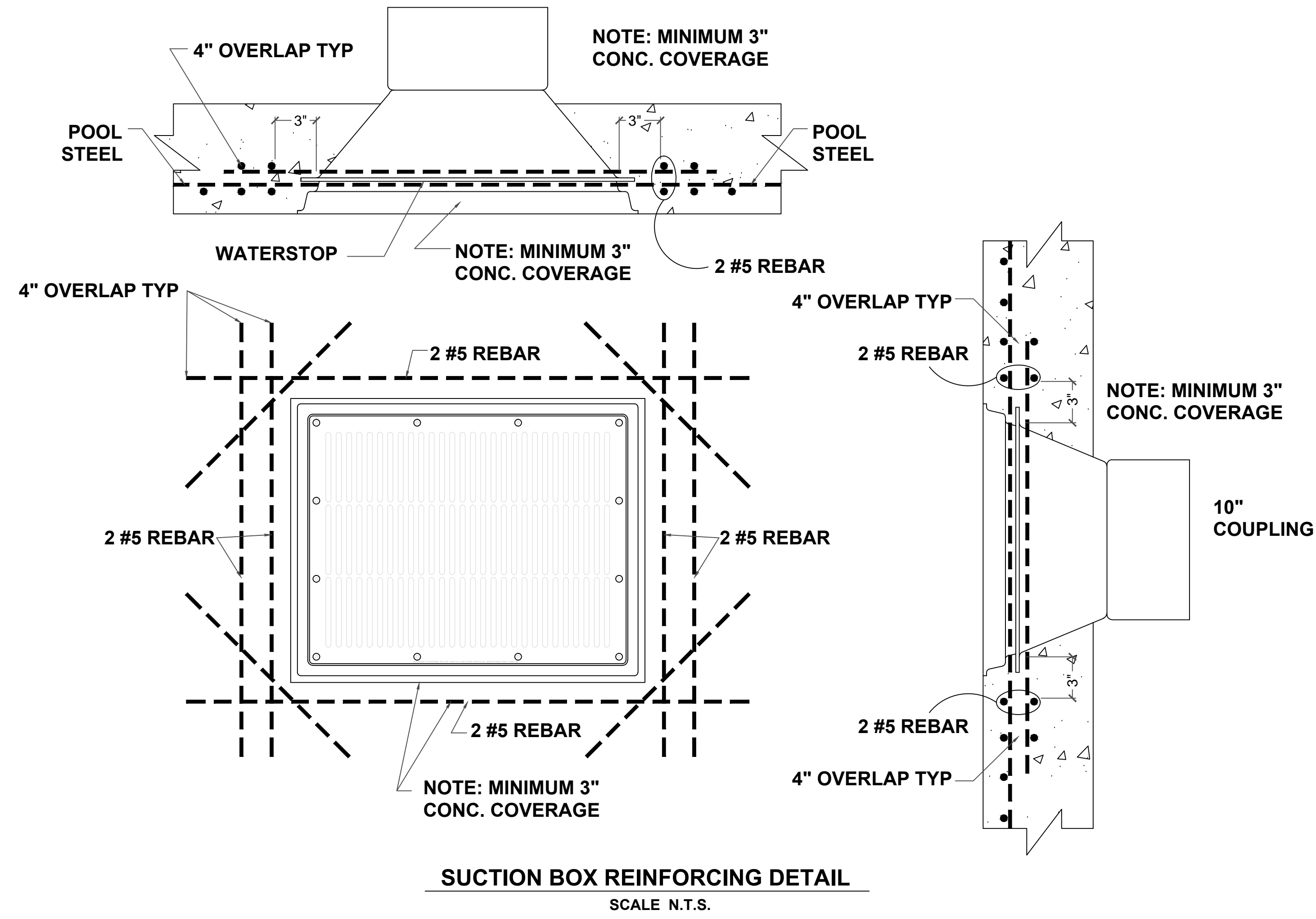
(VFD) VARIABLE FREQUENCY DRIVE
INCLUDED

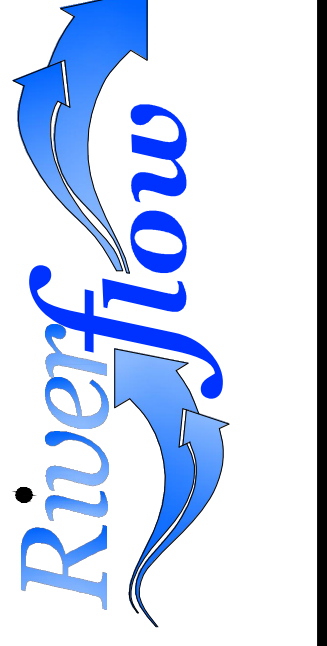


12 X 7 ACCELERATOR NOZZLE INSERT
INCLUDED



| | |
|------------------|----------|
| REVISION DATE(S) | |
| ▲ | |
| ▲ | |
| ▲ | |
| ▲ | |
| JOB #: | |
| SCALE: | AS NOTED |
| CHECKED BY: | |
| DRAWN BY: | MCK |
| | 10/07/16 |
| SHEET NO.: | 3 OF 4 |





| |
|--|
| |
| |
| |
| |

JOB #:

SCALE:
AS NOTED

CHECKED BY:

DRAWN BY:
MCK

10/07/16

SHEET NO.:

4 OF 4

