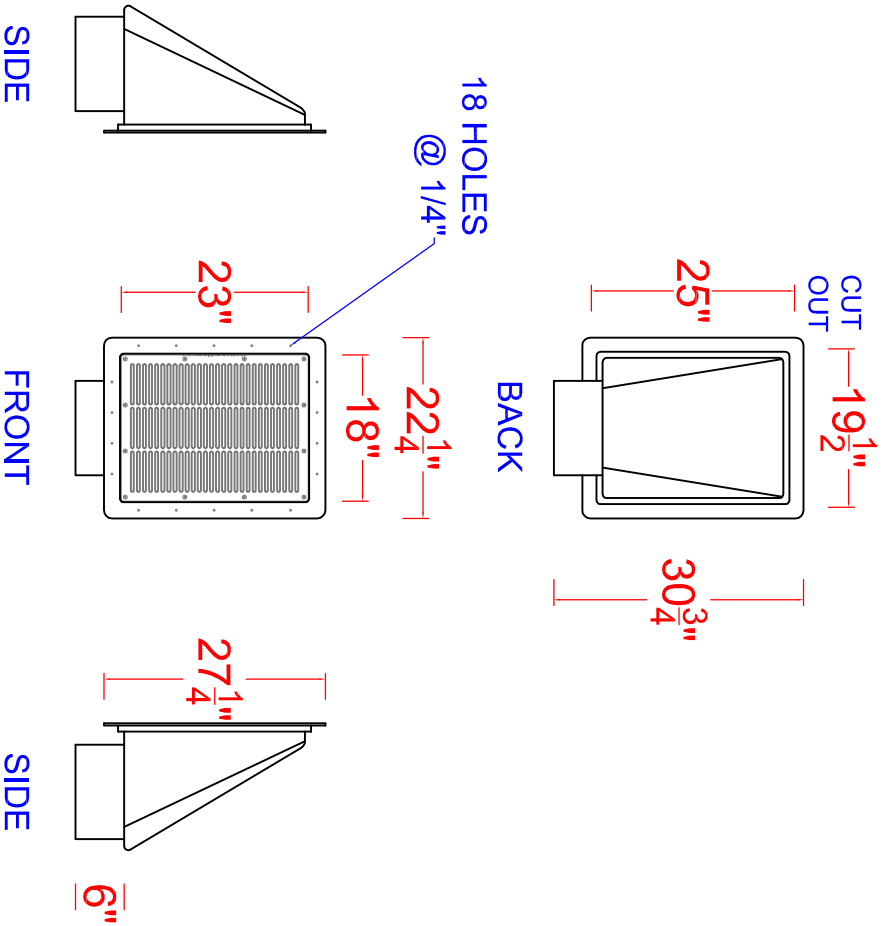


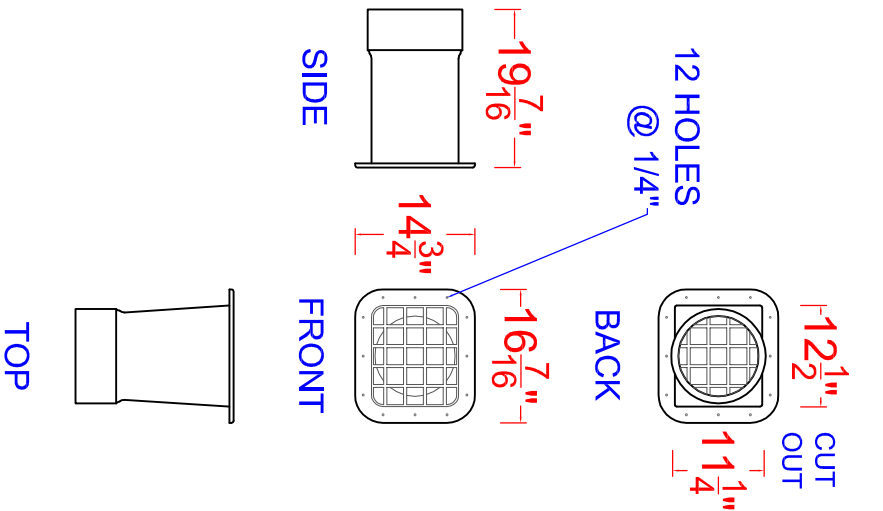
SUCTION BOXES:  
 MINIMUM DEPTH 8" BELOW  
 WATER LEVEL.

NOTE:  
 SUCTION BOXES CAN BE AS LOW  
 AS CONTRACTOR WISHES TO  
 INSTALL

8 BACKING STRIPS  
 2" WIDE X 1/4" THICK.  
 LENGTH TO BE DETERMINED.



ANGLED SUCTION BOX



TRUE FLOW RETURN

Note: This drawing is an artistic concept of the general appearance of the proposed design. It is not to be utilized for building or permitting. Field measurements required.

TRUE FLOW RETURN &  
 ANGLED SUCTION BOX  
 VERTICAL FIBERGLASS  
 VINYL LINER LAYOUT



APPROVAL SIGN OFF	DESIGNER: CLIENT:
DATE: 7/24/07	FINISH:
REVISED: 1/8/08	SCALE: N.T.S. DRAWN BY: DGS