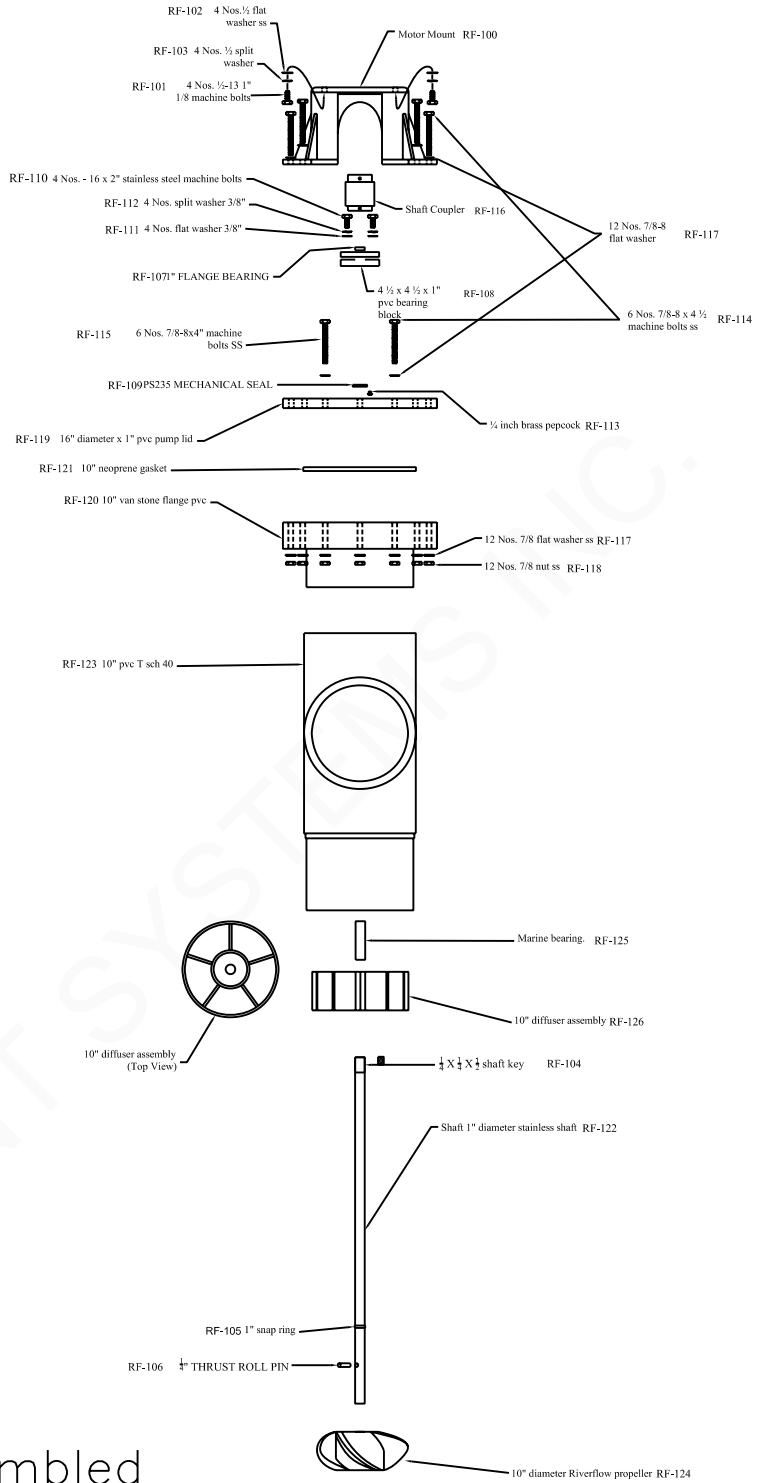


Parts Listing Riverflow Pump

Riverflow Pump Description	
Aluminum Motor Mount	RF-100
1/2-13 1" 1/8 Machine bolts stainless steel	RF-101
1/2 inch flat washer SS	RF-102
1/2 inch split washer SS	RF-103
Shaft Key 1/4" x 1/4" SS	RF-104
1" snap ring SS	RF-105
1/4" Thrust Roll Pin SS	RF-106
1 inch flange bearing	RF-107
1"x4 1/2" x 4 1/2" pvc bearing block	RF-108
PS 235 Mechanical Seal	RF-109
2" machine bolt SS	RF-110
3/8" Flat washer SS	RF-111
3/8" split washer SS	RF-112
1/4 inch brass petcock	RF-113
7/8-8x4 1/2 inch machine motor mount bolts SS	RF-114
7/8-8x4 inch machine motor mount bolts SS	RF-115
Shaft Coupler	RF-116
7/8" Flat washer SS	RF-117
7/8" nut SS	RF-118
16" diameter 1" pvc pump head	RF-119
10" spigot van stone flange pvc	RF-120
10" neoprene gasket	RF-121
1" Stainless Steel Pump Shaft	RF-122
10" pvc T sch 40	RF-123
10 diameter propeller	RF-124
fleetwood F7 fluted rubber bearing	RF-125
10" diffuser assembly	RF-126



Riverflow Pump Assembled

Riverflow Pump Parts

River Flow Pump Parts			
SIZE	FSCM NO.	DWG NO.	REV
SCALE			SHEET